



## FOR RENTAL MINIJACKS by Lift systems, inc.

### CAPACITY:

**4 Point - MODEL 4040SC**

**40 (36) tons to 16'1/8" (4880 mm)**

**2 Point -MODEL 2020SC**

**20 (18) tons to 16'1/8" (4880 mm)**

**Max. Operating PSI: 1800 (124 bar)**

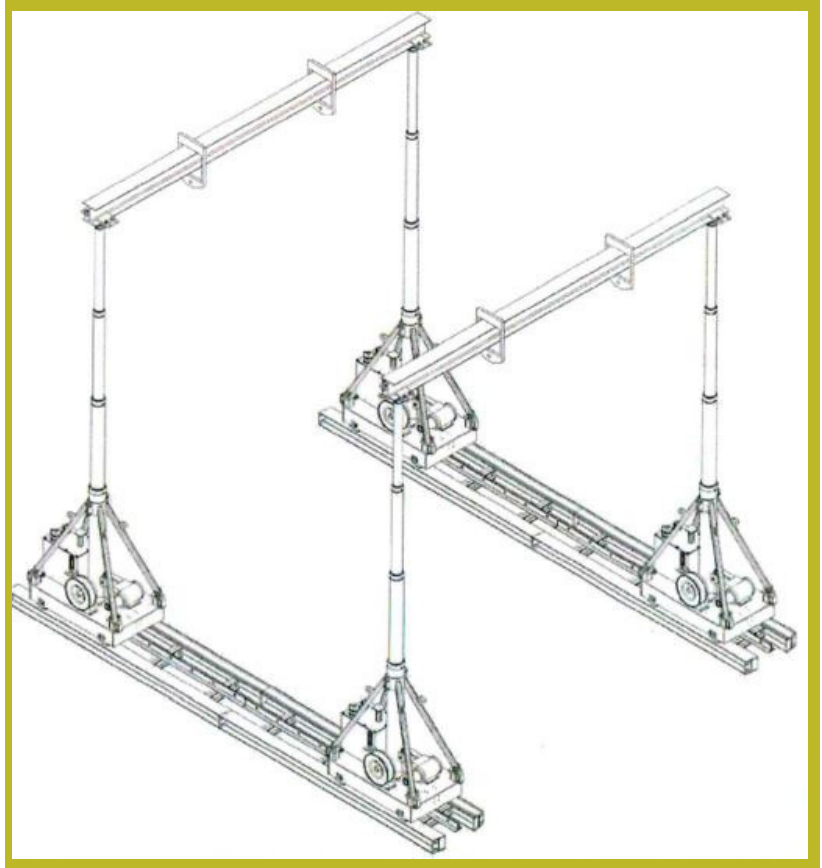
### BASE DIMENSIONS:

**Length: 51" (1295 mm)**

**Width: 28" (711 mm)**

**Height Retracted: 6'1/8" (1832 mm)**

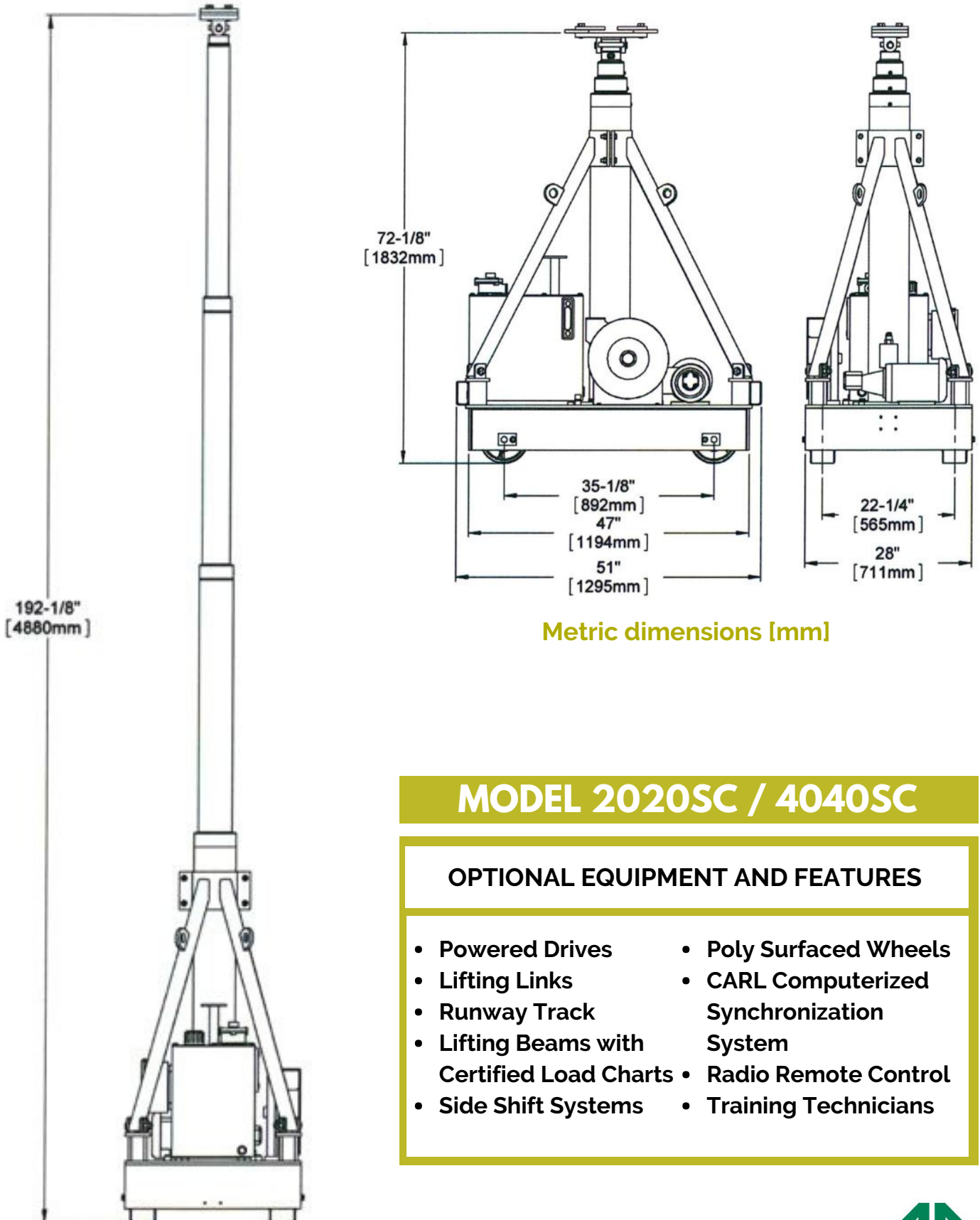
**Weight: 1850 lbs. (817kg)**



## STANDARD FEATURES

- Double acting cylinders
- Safety holding valves
- Self Contained Hydraulics
- Pendant Control
- Positioning Handle
- 110 volt/ 60 Hz/ 20 amp draw
- 220 volt power optional
- 14 Gallon (53 l) reservoir
- 1 g.p.m. pump

**FOR RENTAL  
MINIJACKS  
by Lift systems, inc.**



**Metric dimensions [mm]**

**MODEL 2020SC / 4040SC**

**OPTIONAL EQUIPMENT AND FEATURES**

- Powered Drives
- Lifting Links
- Runway Track
- Lifting Beams with Certified Load Charts
- Side Shift Systems
- Poly Surfaced Wheels
- CARL Computerized Synchronization System
- Radio Remote Control
- Training Technicians

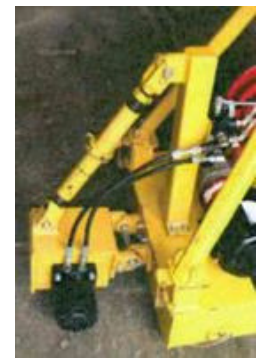
**FOR RENTAL**  
**MINIJACK AND MIGHTY MINIJACK**  
**ACCESSORIES by Lift systems, inc.**



**OPTIONAL EQUIPMENT AVAILABLE FOR MODELS**  
**2020SC, 2033SC, and 2033SCT**

**DRIVES**

- Removable hydraulic drive
- Ratchet lift feature for freewheel
- High traction rubber wheel
- Can be added to most existing units
- All current production units are prepped for the addition of drives at a future date
- Can be purchased as a stand alone, self-installation kit



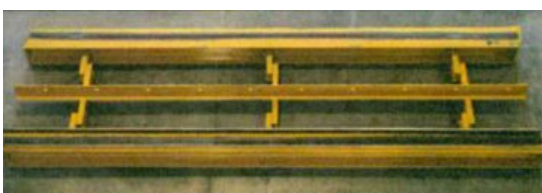
**RISERS**



- Add 5' (1.5m) of additional height to your system in minutes
- No shimming
- Accepts 2020SC through 2033SCT base widths with no adjustments needed
- Accepts hydraulic pin-on drives
- Full lifting capacity is maintained



**RUNWAY TRACK**



- 6" tall runway track with adjustable width to accept both 2020SC and 2033SCT bases
- Great for spanning pits and channels
- Maximize floor protection and weight distribution
- Lightweight for ease of shipment and handling
- Available in 10' sections

FOR RENTAL  
**MINIJACK AND MIGHTY MINIJACK  
ACCESSORIES by Lift systems, inc.**



## ROLLING LINK SIDE SHIFT SYSTEM



- Side shift loads in a controlled manner
- Rolling Links and clamp provide positive load attachment to beam
- Various cylinder lengths available
- Allows for fine adjustment and placement of loads



## LIFTING BEAMS



- Lift Beams available in various sizes and weights to accommodate most load arrangements
- Mill Test Certs available
- Custom designed and fabricated beams available for special applications

## LIFTING LINKS

- Lift Links allow for load attachment to the lifting beam
- Various sizes/capacities available to accommodate most beam sizes



## HEADER PLATE EXTENDERS



- Header plate extenders are available to allow the jacks to accept wider flange beam than standard
- Bolt on ease for installation
- Custom designed and fabricated depending upon beam size to be used