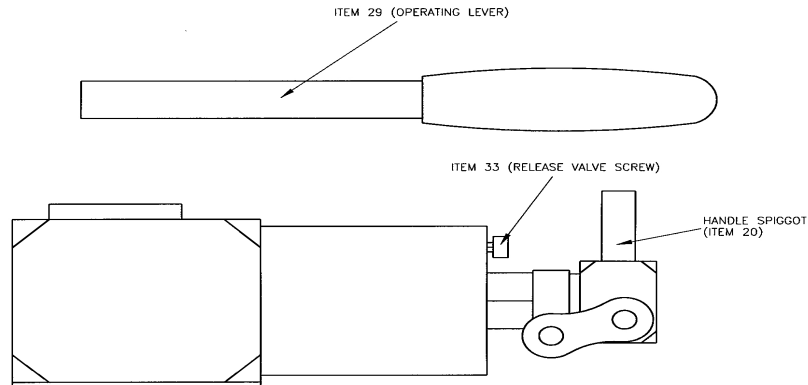


HI-FORCE OPERATING AND MAINTENANCE INSTRUCTIONS JSL AND JAL HYDRAULIC JACKS



Hi-Force Jacks are despatched from works with a pre-fill of oil, and are ready for use. They can be used in every position, for example sideways, upside down etc.

There are two safety devices fitted as follows:

- 1) Pressure Relief Valve to prevent overloading.
- 2) Safety Bypass Port to limit the stroke to maximum stated.

TO LIFT OR PUSH LOAD

Using the Operating Lever Assembly (item 29) turn Release Valve Screw (item 33) clockwise to close.

Put Operating Lever onto Handle Spigot (item 20) and operate pump. The piston will rise and lift load. When the piston reaches full stroke the Safety Bypass Port operates automatically and this prevents the piston from rising further.

TO LOWER LOAD

Using Operator Lever turn Release Valve Screw anti-clockwise to open. Opening Release Valve SLOWLY may control rate of lowering. Do **NOT** overload Jack during lowering.

CARE AND STORAGE

Wipe piston clean before lowering. When Jack is not in use store upright in a clean environment.

Safety Instructions Overleaf **SAFETY WARNINGS!**

- ALWAYS** raise the piston to the load.
- DO NOT** drop load onto the Jack.
- ALWAYS** support the base of the Jack when in use.
- NEVER** go under load when it is supported only by the Jack.

- 1) Before using any hydraulic equipment, read the operating instructions carefully and check that they are fully understood.
- 2) Provide solid and flat foundations.
- 3) Make sure that there is sufficient spare lifting capacity and stroke when selecting Jacks.
- 4) Check Jack load ratings before use.
- 5) Avoid off-centre loading.
- 6) Always use the correct hydraulic fluid, as specified by your Hi-Force distributor.

ADDITIONAL INFORMATION TO OUR CUSTOMERS

- Always have your equipment serviced and repaired by accredited Hi-Force Service Centres, who will use only genuine Hi-Force spare parts.
- If in doubt, consult your local Hi-Force distributor or sales office.